

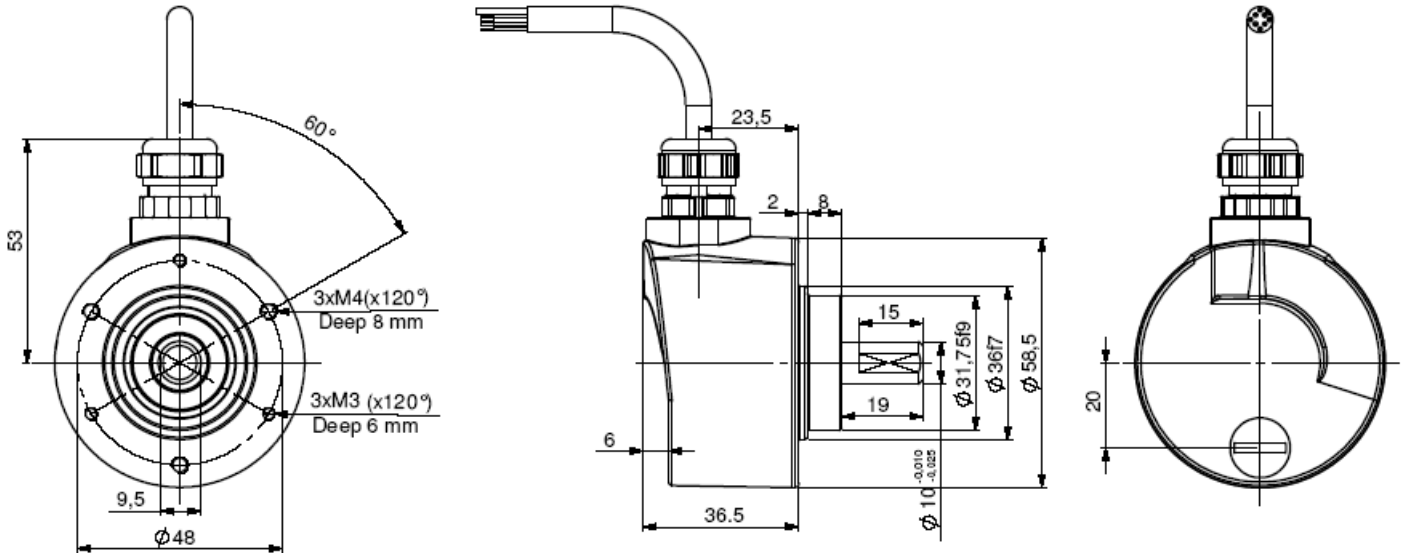
## PROGRAMMABLE INCREMENTAL ENCODERS, DHM5 RANGE

The programmable encoder : **DIGISINE™**, unique combination of performance and flexibility

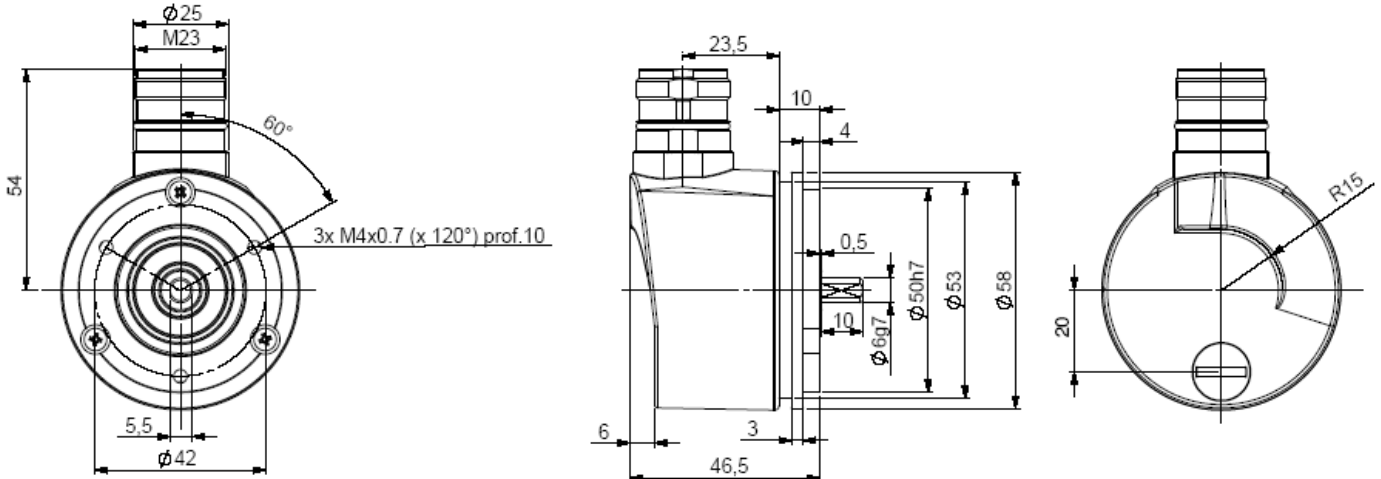
- Easy programming without any specific software or hard-ware
- Robustness and excellent resistance to shocks / vibrations
- High protection level IP65, IP67 option with a sealing flange
- High resolutions available : up to 80 000 cpt
- Universal electronic circuits from 5 to 30 Vdc
- High performances in temperature -30°C to +70°C (option -40°C)
- High performances in frequency of output signals : 300 kHz



**DHM5\_10 connection G3R radial cable**



**DHM5\_06 connection G6R (radial M23), flange 9500/003\* mounted on body**

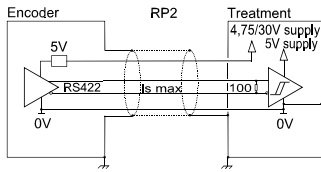


\* Accessory to be ordered separately

Material	Cover : zinc alloy	Shock (EN60068-2-27)	≤ 500m.s <sup>-2</sup> (during 6 ms)
	Body : aluminium	Vibration (EN60068-2-6)	≤ 100m.s <sup>-2</sup> (55 ... 2 000 Hz)
	Shaft : stainless steel	EMC	EN 50081-1, EN 61000-6-2
Bearings	6 000 serie	Isolation	1 000 Veff
Maximum loads	Axial : 50 N	Encoder weight (approx.)	0,300 kg
	Radial : 100 N	Operating temperature	- 30 ... + 70 °C (encoder T°)
Shaft inertia	≤ 1.10 <sup>-6</sup> kg.m <sup>2</sup>	Storage temperature	- 40 ... + 80 °C
Torque	≤ 4.10 <sup>-3</sup> N.m	Protection(EN 60529)	IP 65 (IP67 with flange option)
Permissible max. speed	12 000 min <sup>-1</sup>	Theoretical mechanical lifetime 10 <sup>9</sup> turns (F <sub>axial</sub> / F <sub>radial</sub> )	
Continuous max. speed	9 000 min <sup>-1</sup>	25 N / 50 N : 99	50 N / 100 N : 12

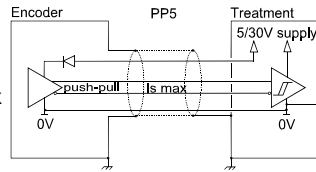
## PROGRAMMABLE INCREMENTAL ENCODERS, DHM5 RANGE

### DIGITAL OUTPUT SIGNALS (SQUARE WAVE)



#### RP2 electronic (300kHz)

Supply : 4,75 to 30Vdc  
Cons. without load : 75mA max  
Current per channel: 40mA max  
0 max (I<sub>s</sub>=20mA) : V<sub>ol</sub> = 0,5Vdc  
1 min (I<sub>s</sub>=20mA) : V<sub>oh</sub> = 4Vdc



#### PP5 electronic (300kHz)

Supply: 5 to 30Vdc  
Cons. without load : 75mA max  
Current per channel: 40mA max  
0 max (I<sub>s</sub>=20mA) : V<sub>ol</sub> = 0,5Vdc  
1 min (I<sub>s</sub>=20mA) : V<sub>oh</sub> = V<sub>cc</sub>-2,5Vdc

Protection against short circuits and against reverse polarity for all the electronics

### STANDARD CONNECTION

		-	+	A	B	0	A/	B/	0/	Ground
G6	M23 - 12 pins CW	1	2	3	4	5	6	7	8	Connector body
G8	M23 - 12 pins CCW	10 + 11	2 + 12	8	5	3	1	6	4	Connector body
G3	PVC cable 8 wires 8230/020	WH white	BN brown	GN green	YE yellow	GY grey	PK pink	BU blue	RD red	General shielding
GP	PUR cable 12 wires 8230/050	WH white + WH/GN white /green	BU blue + BN/GN brown / green	GY grey	BN brown	RD red	PK pink	GN green	BK black	General shielding

### ORDERING REFERENCE (Contact the factory for special versions, ex: special electronics, flanges, connections...)

DHM5	Shaft Ø	Digital signals (Square wave)			Resolution	Connection	Connection orientation
		Electronic : PP5, RP2		Output signals			
		Supply	Output stage				
	06 : 6mm			9 : A,A/,B,B/,0,0/ (0 gated A & B)	5 000 max basic resolution	G6 : M23 12 pins CW G5 : M23 12 pins CW G8 : M23 12 pins CCW G1 : solenoid valve 4 pins G2 : DIN 5 pins GD : DIN 8 pins	R : radial
	10 : 10mm	R : 4.75 to 30Vdc	P2 : driver RS422 5Vdc				
	08 : 8mm (option)	P : 5 to 30Vdc	P5 : push-pull				
Ex: DHM5_	10 //	P	P5	9 //	5 000 //	GP	R020

### AVAILABLE INTERPOLATED RESOLUTIONS

Easy multiplication of the basis resolution of the disk : 1, 2, 3, 4, 5, 8, 10, 12 and 16 times per dip-switch without specific software nor hardware



Interpolation factor	Basis resolutions										
	250	256	360	500	1 024	2 500	3 000	3 600	4 000	4 096	5 000
X 1	250	256	360	500	1 024	2 500	3 000	3 600	4 000	4 096	5 000
X 2	500	512	720	1 000	2 048	5 000	6 000	7 200	8 000	8 192	10 000
X 3	750	768	1 080	1 500	3 072	7 500	9 000	10 800	12 000	12 288	15 000
X 4	1 000	1 024	1 440	2 000	4 096	10 000	12 000	14 400	16 000	16 384	20 000
X 5	1 250	1 280	1 800	2 500	5 120	12 500	15 000	18 000	20 000	20 480	25 000
X 8	2 000	2 048	2 880	4 000	8 192	20 000	24 000	28 800	32 000	32 768	40 000
X 10	2 500	2 560	3 600	5 000	10 240	25 000	30 000	36 000	40 000	40 960	50 000
X 12	3 000	3 072	4 320	6 000	12 288	30 000	36 000	43 200	48 000	49 152	60 000
X 16	4 000	4 096	5 760	8 000	16 384	40 000	48 000	57 600	64 000	65 536	80 000

factor	switchs position			
	CODE SWITCH			
	1	2	3	4
x 1	ON	OFF	OFF	OFF
x 2	ON	ON	OFF	OFF
x 3	ON	ON	ON	OFF
x 4	ON	ON	ON	ON
x 5	ON	ON	ON	ON
x 8	ON	ON	ON	ON
x 10	ON	ON	ON	ON
x 12	ON	ON	ON	ON
x 16	ON	ON	ON	ON

Made in France