

TYPE

RE.0220



DESTINATION

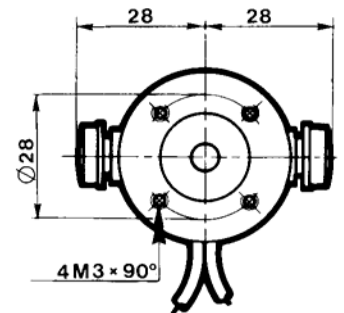
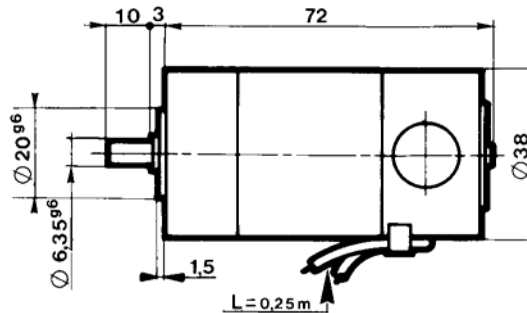
- General applications

DESCRIPTION

- Small size DC tachometer generator
- Permanent magnet-excitation
- Brushes easily accessible
- Cable connection
- Flange B 14



Weight kg	0,3
-----------	-----



GENERAL DATA

Designation	Symbol	Unit	Value
Maximum speed (mechanical)	n_m	rpm	15000
Moment of inertia	J	Kg cm ²	0,05
No load driving torque	Mr	N. cm	≤ 0,40
Maximum radial shaft stress	F	da N	0,2
Maximum E.M.F.	E_m	V	100
Maximum linearity error	ΔE	% E_T	≤ 0,15
Overall ripple rate (peak to peak)	ΔE_c	% E_c	≤ 5
Rotation harmonics (f = 2 p. n.)	ΔE_p	% E_c	≤ 0,5
Slot harmonics (f = Z. n.)	ΔE_z	% E_c	≤ 4,5
Calibration precision	ΔE_o	% E_{T_o}	± 1,0
E.M.F. temperature drift - not compensated	ΔE_e	% /°C	0,02
- compensated			-
Time constant	Ct	ms	1,0
*Filter: Time constant	RF x CF	ms	0,2
Load current	I_c	mA	3
Speed	n	rpm	3000

Construction details	
Number of poles	2
Number of armature slots	9
Number of collector blades	18
Insulation class	B (IEC 34-1)
Operating temperature	-30° - 130 °C
Climatic protection	C _a (IEC 68-1)
Protection degree	IP 44 (IEC 34-5)
Direction of rotation	Reversible
Excitation	Permanent magnets Alnico

* Filter-connecting diagram on demand

Rev.: 01

DESTINATION

- General applications

DESCRIPTION

- Small size DC tachometer generator
- Permanent magnet-excitation
- Brushes easily accessible
- Cable connection
- Flange B 14

TYPE
RE.0220

Shaft ends and bearings

	Mounting side			Opposite mounting side		
	D (mm)	L (mm)	Bearings	D (mm)	L (mm)	Bearings
Standard	6,35	10	7 x 19 x 6 ZZ	-	-	4 x 13 x5 ZZ
Max.	6,35	-	7 x 19 x 6 ZZ	4	-	4 x 13 x5 ZZ

Options

- Special end shield

Available options on 2nd shaft end**Markings and polarity of terminals (cables) for counter-clockwise rotation viewing the mounting face**

1 collector	2 collector
White-red: - - White-blue: +	

Electrical options

			Min.				Max.					
E.M.F. at 1000 rpm.	E_n	V	5	7	10	12						
Voltage gradient	C_v	V/U/min.	0,005	0,007	0,010	0,012						
Armature resistance	R_a	Ω	25	50	100	150						
Max. thermal load	I_{th}	A	0,12	0,09	0,06	0,05						
Max. allowed speed	n_a	U/min.	15000	15000	15000	15000						

Brushes

Number	Size	Quality	Application limits	Reference
2	3 x 6,4 x 10	Electro-graphite (EG)	STANDARD for normal use at E.M.F. < 300 V	23 - 62 - CA
		Silver-graphite (CA)		