

TYPE

RE.0588

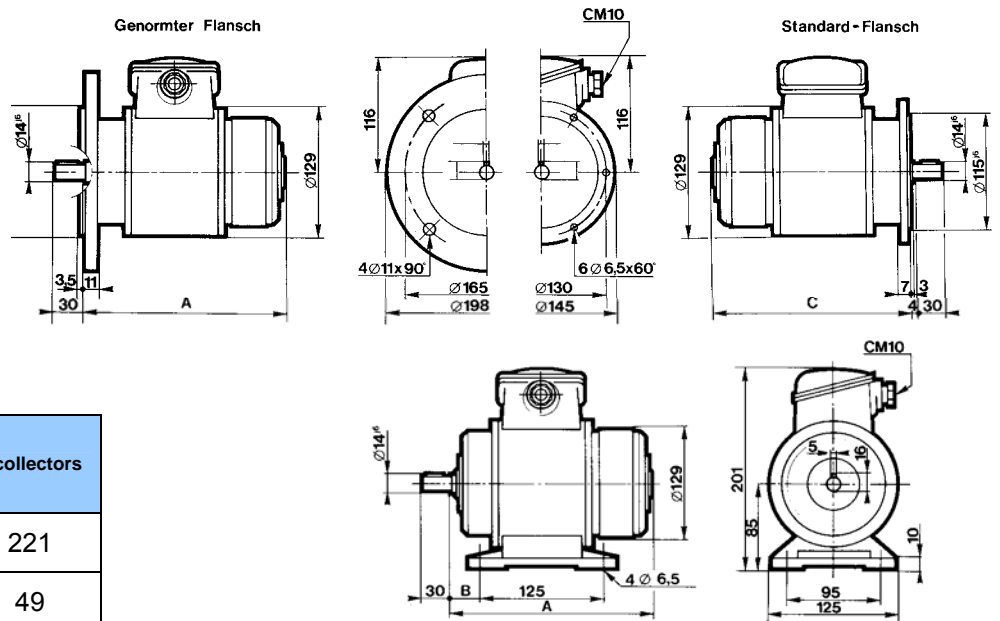
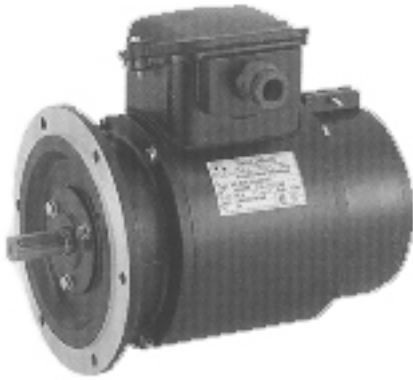


**DESTINATION**

- Industrial Applications
- Low speed use

**DISCRIPTION**

- DC tachometer generator with low ripple
- Permanent magnet excitation
- Terminal box
- Available wit one and two commutators
- Many options



	1 collector	2 collectors
A	199	221
B	27	49
C	195	217
Weight kg	7,9	8,6

**GENERAL DATA**

Designation	Symbol	Unit	Value	
Maximum speed (mechanical)	$n_m$	rpm	8000	
Moment of inertia	J	Kg cm <sup>2</sup>	7,5	
No load driving torque	$M_r$	N. cm	4,50	
Maximum radial shaft stress	F	da N	3,0	
Maximum E.M.F.	$E_m$	V	600	
Maximum linearity error	$\Delta E$	% $E_T$	$\leq 0,15$	
Overall ripple rate (peak to peak)	$\Delta E_c$	% $E_c$	$\leq 0,4$	
Rotation harmonics (f = 2 p. n.)	$\Delta E_p$	% $E_c$	$\leq 0,1$	
Slot harmonics (f = Z. n.)	$\Delta E_z$	% $E_c$	$\leq 0,3$	
Calibration precision	$\Delta E_o$	% $E_{T_o}$	$\pm 1,0$	
E.M.F. temperature drift - not compensated - compensated	$\Delta E_e$	% /°C	- 0,005	
Time constant	$C_t$	ms	7,5	
*Filter: Time constant	RF x CF	ms	1	
Load current	$I_c$	mA	5	
Speed	n	rpm	3000	

Construction details	
Number of poles	2
Number of armature slots	29
Number of collector blades	87
Insulation class	B (IEC 34-1)
Operating temperature	-30° - 130 °C
Climatic protection	C <sub>a</sub> (IEC 68-1)
Protection degree	IP 54 (IEC 34-5)
Direction of rotation	Reversible
Excitation	Permanent magnets Alnico

\* Filter-connecting diagram on demand

**DESTINATION**

- Industrial Applications
- Low speed use

**DISCRIPTION**

- DC tachometer generator with low ripple
- Permanent magnet excitation
- Terminal box
- Available wit one and two commutators
- Many options

TYPE  
RE.0588

### Mechanical options

### Shaft ends and bearings

	Mounting side			Opposite mounting side		
	D (mm)	L (mm)	Bearings	D (mm)	L (mm)	Bearings
Standard	14	30	15 x 35 x 11 ZZ	14	30	15 x 35 x 11 ZZ
Max.	14	-	15 x 35 x 11 ZZ	14	-	15 x 35 x 11 ZZ

#### Options

- Sealing ring (IP 56)
- Without terminal box
- Special flanges
- Welded housing (Navy)

#### Markings and polarity of terminals (cables) for counter-clockwise rotation viewing the mounting face

1 collector		A1 : +	A2 : -
2 collectors	1. collector	1A1: +	1A2: -
	2. collector	2A1: +	2A2: -

#### Available options on 2nd shaft end

- 2nd flange
- Single assembly with high frequency electromagnetic generator of AC- tacho RY 32
- DC - tacho
- Encoder
- Centrifugal switch

### Electrical options

				Min.									Max.	
E.M.F. at 1000 rpm.	$E_n$	V	1 coll. 2 coll.	30	60 2 x 60	100 2 x 100	110	120 2 x 120	150	200 2 x 200	300	600 2 x 600	700	1000
Voltage gradient	$C_v$	V/rpm	1 coll. 2 coll.	0,03	0,06 2 x 0,06	0,10 2 x 0,10	0,11	0,12 2 x 0,12	0,15	0,20 2 x 0,20	0,30	0,60 2 x 0,60	0,70	1,0
Armature resistance	$R_a$	$\Omega$	1 coll. 2 coll.	4	12 2 x 25	35 2 x 80	40	50 2 x 100	75	130 2 x 300	300	1300 2 x 1700	1900	2600
Max. thermal load	$I_{th}$	A	1 coll. 2 coll.	1,80	0,90 2 x 0,45	0,55 2 x 0,25	0,45	0,45 2 x 0,25	0,35	0,30 2 x 0,10	0,18	0,09 2x 0,045	0,07	0,06
Max. allowed speed	$n_a$	rpm	1 coll. 2 coll.	8000	5000 5000	3000 3000	2700	2500 2500	2000	1500 1500	1000	500 500	425	300

### Brushes

Number	Size	Grade	Application limits	Reference
4 or 8	3,1 x 4,1 x 12,5	Electro graphite (EG)	<b>STANDARD</b> Max. output voltage > 300 V	31 - 41 - EG
		Silver-graphite (CA)	Recommended for low speed and E.M.F. < 300 V	31 - 41 - CA